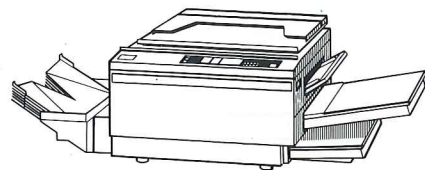


# Mita DC-1255 Test Page

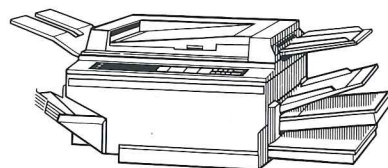
Try a test copy with this page. The results speak for themselves.

**Mita DC-1655**



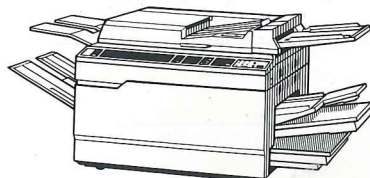
The Dependable Zoom Compact.

**Mita DC-1785**



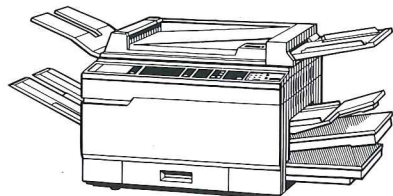
The Auto-Simple Copier From Mita.

**Mita DC-2055**



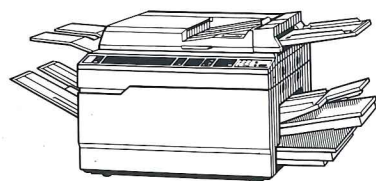
So Versatile, so easy to Use-the DC-2055 from Mita.

**Mita DC-2555**



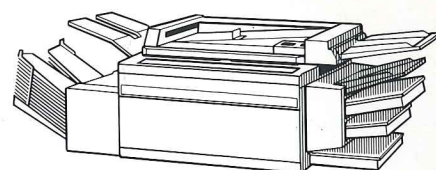
The Auto-Simple Zoom Copier with the Four-Way Paper Feed System.

**Mita DC-2585**



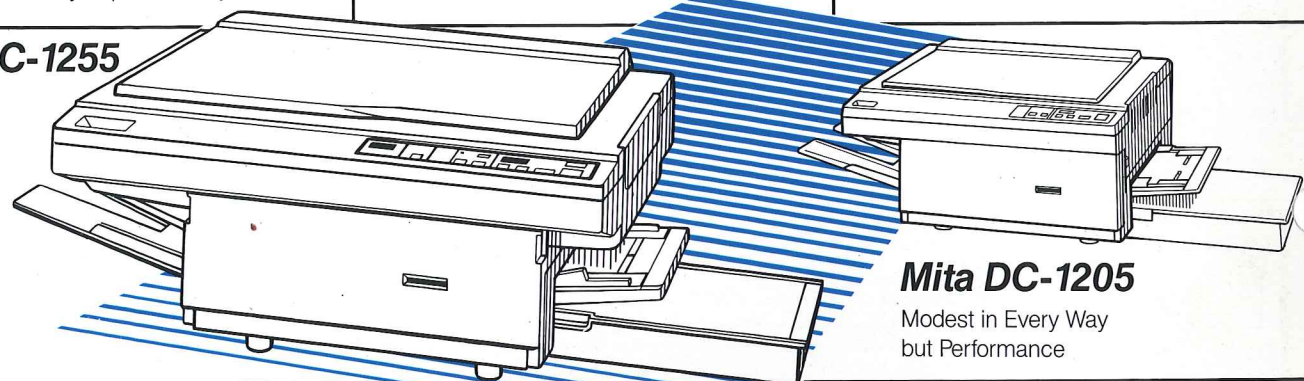
The Auto-Simple duplex Copier with so much more.

**Mita DC-4055**



A High-Production Copier that's Creative Too.

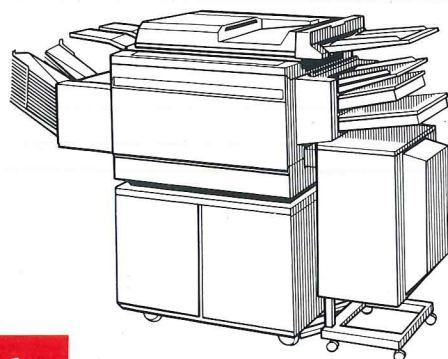
**Mita DC-1255**



**Mita DC-1205**

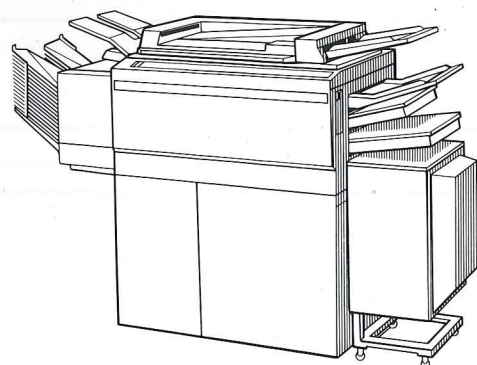
Modest in Every Way but Performance

**Mita DC-4085**



High Quality & Low Cost.

**Mita DC-5055**



The Ultimate in Functional Simplicity. A highly productive, high speed, fully automatic copier.



**MITA COPYSTAR AMERICA, INC.**

**Headquarters:** Heights Plaza, 777 Terrace Avenue, Hasbrouck Heights, New Jersey 07604, U.S.A. Phone: (201) 288-6900, Telex: 138055 MITA HBHT

**Northeastern Region:** 1275 Valley Brook Avenue Lyndhurst, New Jersey 07071 Phone: (201) 460-0066

**Midwestern Region:** 1250 Lunt Avenue, Elk Grove Village, Illinois 60007 Phone: (312) 364-6466

**Western Region:** 2930-B South Fairview Avenue, Santa Ana, California 92704 Phone: (714) 556-0318

**Southern Region:** 2054 Weems Road, Tucker, Georgia 30084 Phone: (404) 939-8421

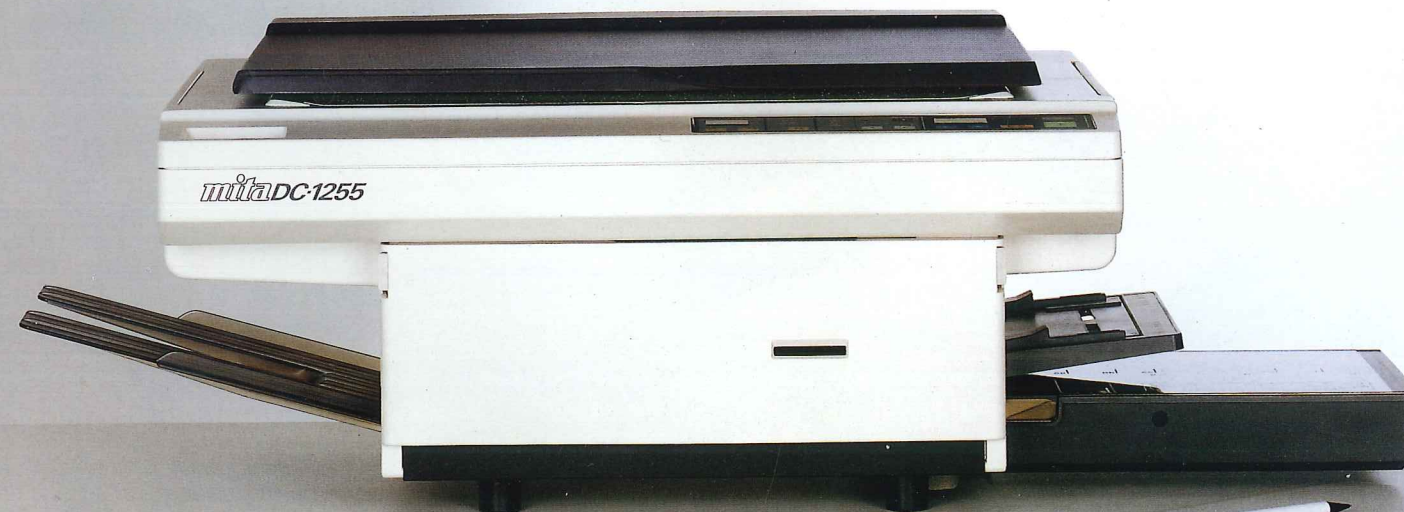
**Southwestern Region:** 2825 West Story Road Irving Texas 75038-5299 U.S.A. Phone: (214) 550-8987

Local Authorized Dealer.

Printed in Japan Code No. 85829911  
©1987 MITA INDUSTRIAL CO., LTD.

# mita DC-1255

**A Great New Idea in Office Copiers,  
The Automatic Letter Size DC-1255**





## Originals Large or Small— a One-Touch Operation for Standard Letter Size Copies

The new DC-1255 automatically adjusts to produce standard 8½ × 11-inch copies from different sized originals, greatly simplifying paperwork and streamlining office operations.

Whatever the size, when you place the original on the platen, the DC-1255 automatically adjusts accordingly. Then, with one-touch of the print button your new copier produces clean, uniform 8½ × 11-inch letter size copies to completely standardize your office paperwork. Copy anything you like—books, memos or even layouts—with no more wasted time trying to figure out complicated copy ratios, paper sizes and which keys to punch. Now, in a simple one-touch operation you can standardize all your documentation into standard letter-size forms. The DC-1255, just one more innovation from Mita, the company that makes office work easy.

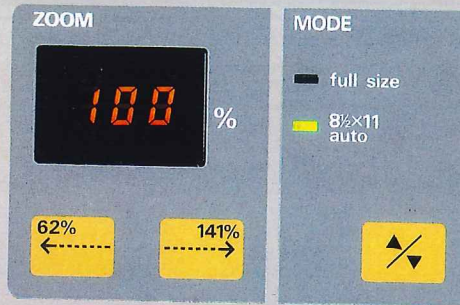
**Uniform 8½ × 11-inch copies from originals 4¼ × 5½-inch up to 11 × 17-inch**  
**Also 1:1 copying of 8½ × 14-inch originals.**

The automatic DC-1255 can produce perfect 8½ × 11-inch letter size copies from originals ranging in size from 4¼ × 5½ to 11 × 17-inches—just about every type of documentation used in today's modern office. What's more, this unique copier can even handle 1:1 copying of 8½ × 14-inch originals. Mita's business is to understand your business and the needs of the modern office.



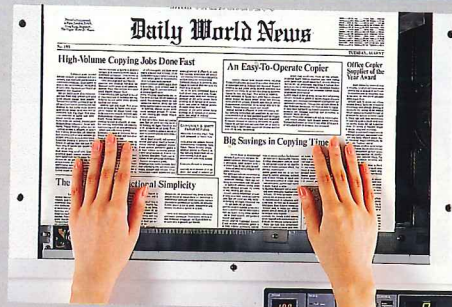


## Other functions:



### 62 to 141 Percent Zoom Capabilities

From 62 to 141 percent enlargements and reductions in one percent increments make this copier especially convenient for all forms of documents and reports.



### Stationary Platen

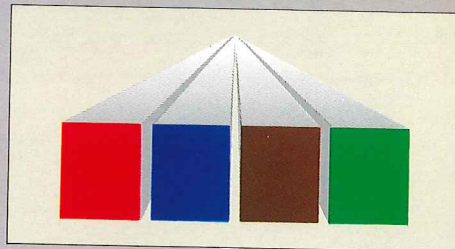
Slippage is eliminated for copying books, thick multiple-page documents and 11 x 17-inch originals. With its compact design the DC-1255 can be installed just about anywhere you like, including office corners.

### Two-way Paper Feed with Cassette and Bypass

A manual feed bypass tray is included for added convenience when copying on paper sizes that differ from those in the cassette, if needed.

### Single Color Copying

Red, blue, brown or green color units can be loaded optionally to give your copies the dramatic impact your presentation deserves.



### Standard Letter Size Copying at 12 Copies Per Minute

To increase office efficiency the DC-1255 produces standard 8 1/2 x 11-inch copies at 12 copier per minute.

### Mita Technology—Proven Reliability

Mita has incorporated every facet of its extensive technology and proven reliability into the DC-1255 to give you sharper image quality and precision operation.

### User-Friendly Functions

- Automatic exposure control for sharper image quality with photographs and blueprints
- Clamshell body opens easily to clear misfeeds
- Self-diagnostic and simulation functions help solve problems in a hurry



## Specifications

### DC-1255

Process	Indirect Dual Component Dry Toner	Continuous Copying	Up to 99 copies
Type	Desk-top	Paper Feed System	Automatic sheet feed (Single Cassette) and by-pass
Originals	Sheets, books, 3-dimensional objects		250 sheets
Copy Sizes	Maximum: 8 1/2" x 14", Minimum: 4 1/4" x 5 1/2"	Cassette Capacity	250 sheets
Copying Speed	12 copies per minute (8 1/2" x 11")	Toner Dispensing System	Automatic Toner Density Control
Warm-up Time	about 30 seconds	Power Source	AC 120V, 60 Hz
First Copy Speed	Within 9 seconds (8 1/2" x 11")	Dimensions	26 1/4" (W) x 22 5/16" (D) x 12 1/2" (H)
Magnification	1:1	Weight	83.6 lbs
Light Source	Zoom magnification (62% — 141%, in 1% step)		
	Halogen lamp		

\*For best copy results, we recommend that you use only Mita original consumables for your Mita copiers.  
\*Specifications and design are subject to change without notice.